

Product Brief

Headset and PTT Cable Assembly BSEM-PTT-0401



Description

The BSEM-PTT-0401 Headset and Push to Talk (PTT) cable assembly is used in conjunction with a headset junction box (HJB) and Mercury MIU or MMU hosts. The headset connector is ideal for use with Bose® Aviation Headset X®. The momentary PTT switch ensures that audio is only transmitted when the operator is deliberately speaking to active audio destinations.

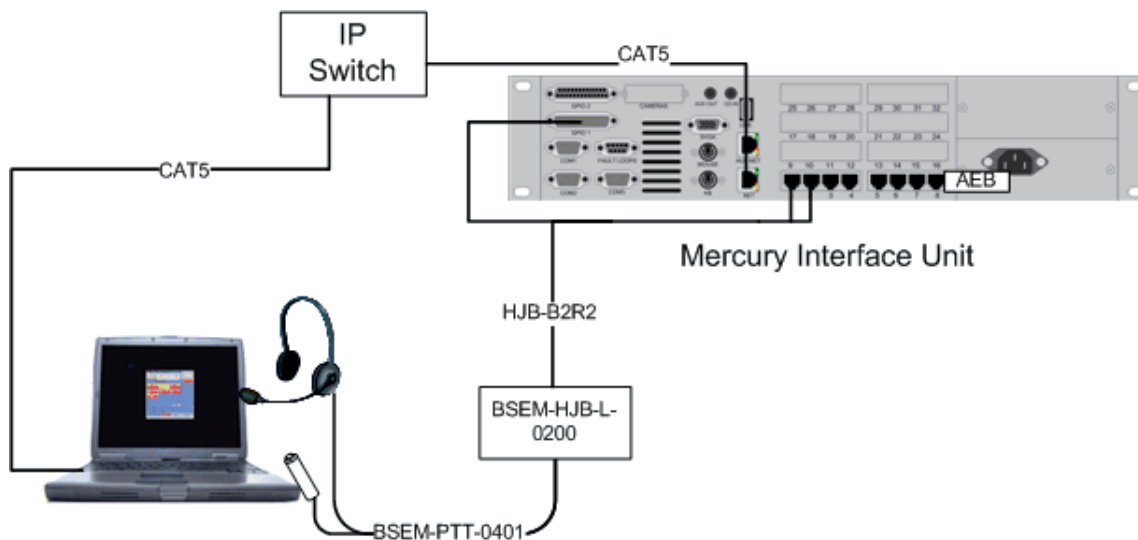
Specifications

- Connects to the HJB or MMU with a coiled cable
- Comes with Stainless Steel Belt Clip
- Coiled, Shielded Cable Extends to 12 feet
- Connector to HJB or MMU: LEMO 12 Pin (Male)
- Connector to Headset: Bose Aviation Headset X®



Bose® and Aviation Headset X® are trademarks owned by Bose Corporation. All other trademarks are the property of their respective owners.

Sample Configuration



USA Sales

Trilogy USA Inc.
2500 E. Hallandale Beach Blvd, Suite 808
Hallandale Beach, FL 33009-4841, USA
Tel/Fax. +1 847 461 1480
Email. sales@trilogyus.com

International Sales

Trilogy Communications Ltd
26 Focus Way, Andover, Hampshire, SP10 5NY, UK
Tel. +44 (0) 1264 384000
Fax. +44 (0) 1264 334806
Email. sales@trilogycomms.com