

General Purpose Interface (GPI) Board

Product Number 700-12-00

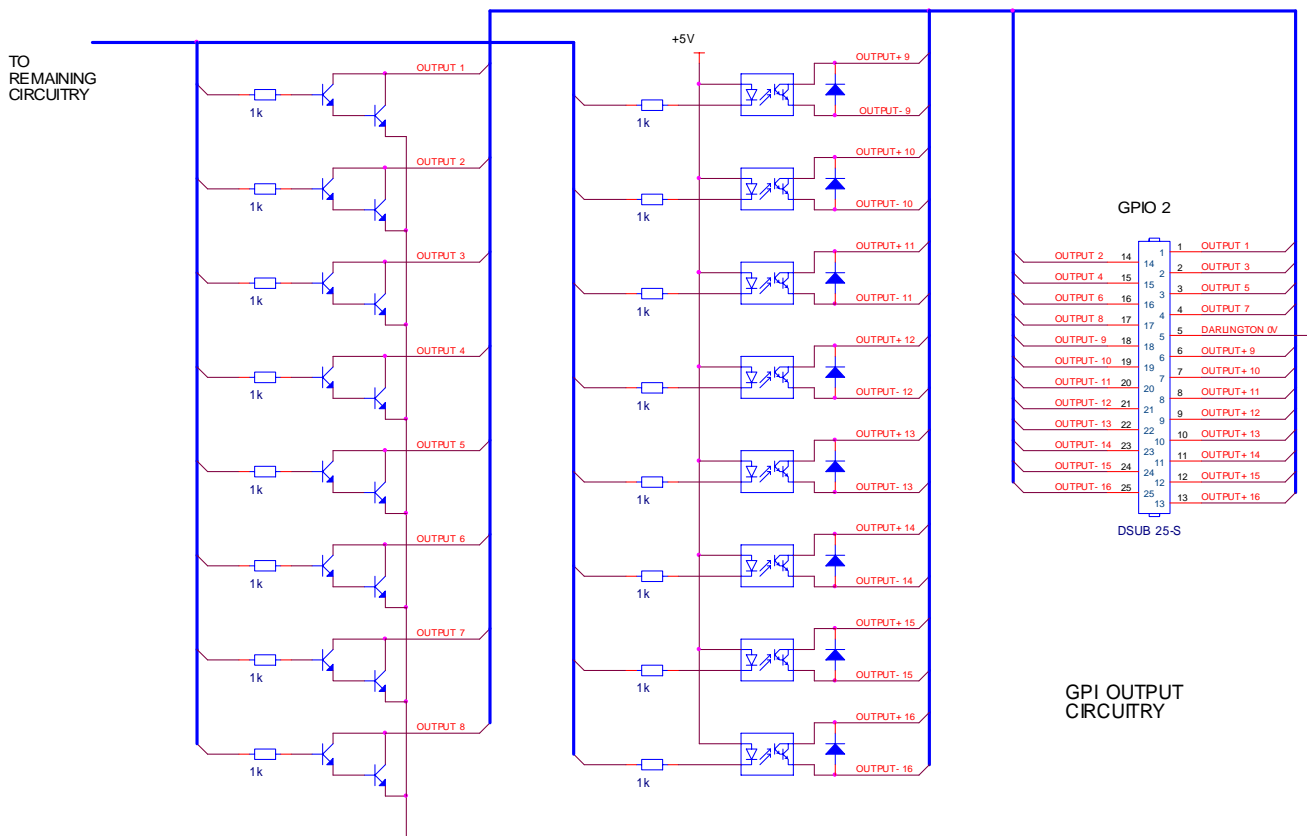
For more information:

UK Office Address

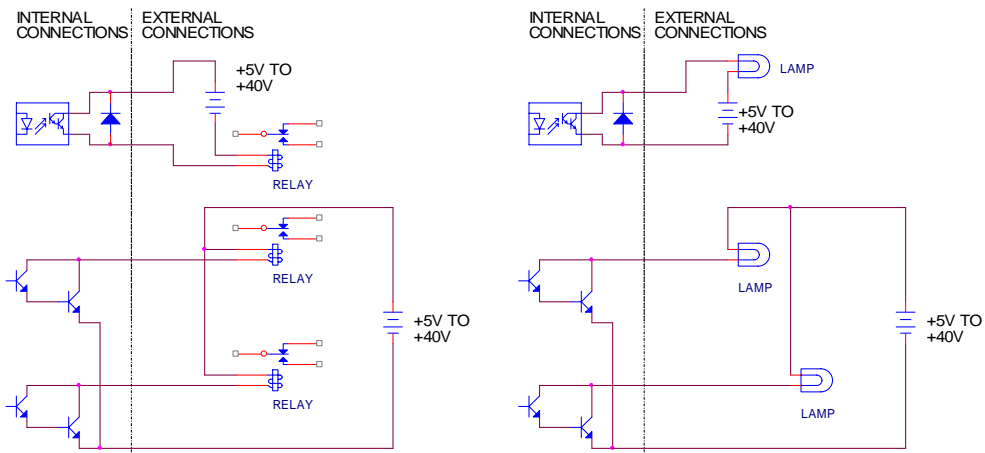
Trilogy Communications Ltd
 26 Focus Way
 Andover
 Hampshire SP10 5NY
 United Kingdom
 E-mail: sales@trilogys.com
 Tel: +44 (0)1264 384000
 Fax: +44 (0)1264 334806

US Office Address

Trilogy USA, Inc.
 20533 Biscayne Blvd. #116
 Aventura, FL 33180
 E-mail: sales@trilogys.com
 Tel: +1 847-461-1480
 Toll Free Phone and Fax from US: 800-372-3198



TYPICAL APPLICATIONS



General Purpose Interface (GPI) Board

Product Number 700-12-00

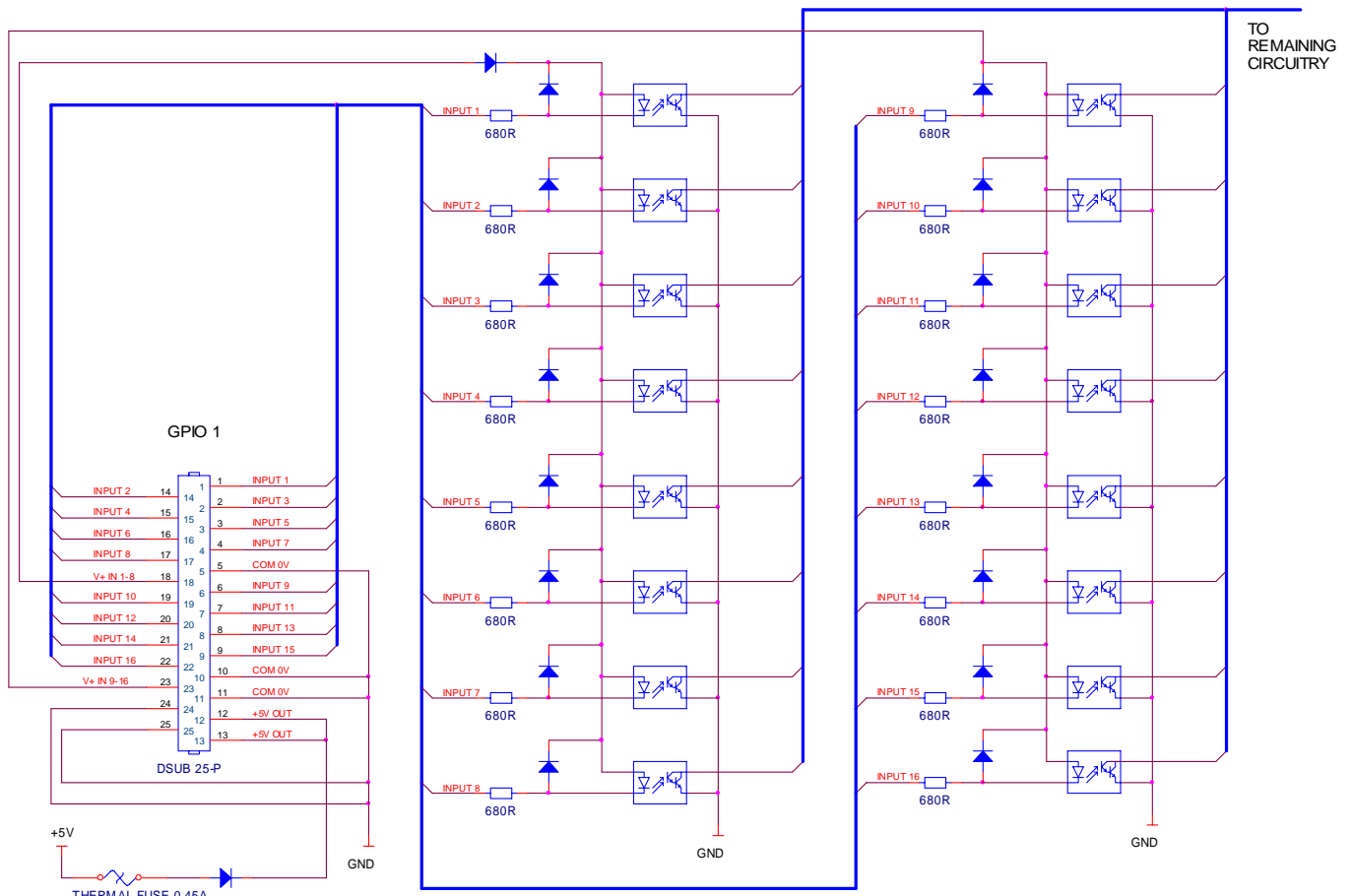
For more information:

UK Office Address

Trilogy Communications Ltd
 26 Focus Way
 Andover
 Hampshire SP10 5NY
 United Kingdom
 E-mail: sales@trilogycomms.com
 Tel: +44 (0)1264 384000
 Fax: +44 (0)1264 334806

US Office Address

Trilogy USA, Inc.
 20533 Biscayne Blvd. #116
 Aventura, FL 33180
 E-mail: sales@trilogys.com
 Tel: +1 847-461-1480
 Toll Free Phone and Fax from US: 800-372-3198



TYPICAL APPLICATION

GPI INPUT CIRCUITRY

